

# KLASS OFFICE SYSTEMS

FUNCTIONALITY WITH SIMPLICITY & ELEGANCE

K-07 MANUAL HEIGHT ADJUSTABLE WORKSTATION FRAME

[www.officefurnitureolutions.in](http://www.officefurnitureolutions.in)



**Klass Interiors**  
Functionality with simplicity & Elegance



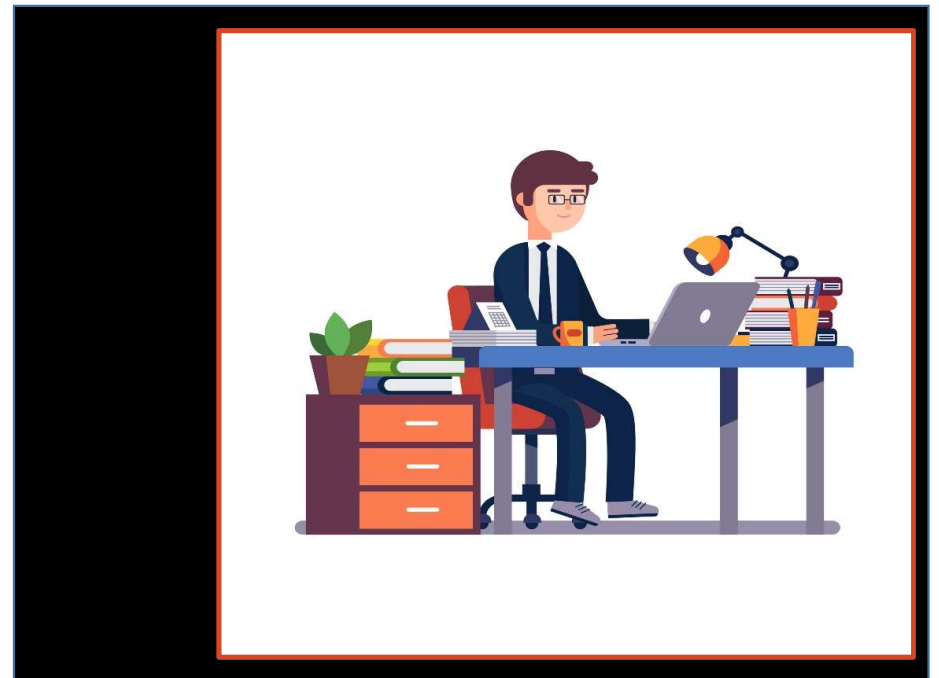
# INTRODUCTION :

- ❑ Right from the start, our motto is to optimize a work environment by not just adding seats in a designated space, but in fact it is to create a space for performance, team work and skill development.
- ❑ Our idea of space optimization originates from our intent to incorporate an employee centric design and infrastructure.
- ❑ To begin our journey in this ever evolving ergonomics and anthropometric furniture designs, we decided to launch our first product under our brand – **KLASS OFFICE SYSTEMS**, because we believe an organization will grow only when all employees perform, learn & play together.



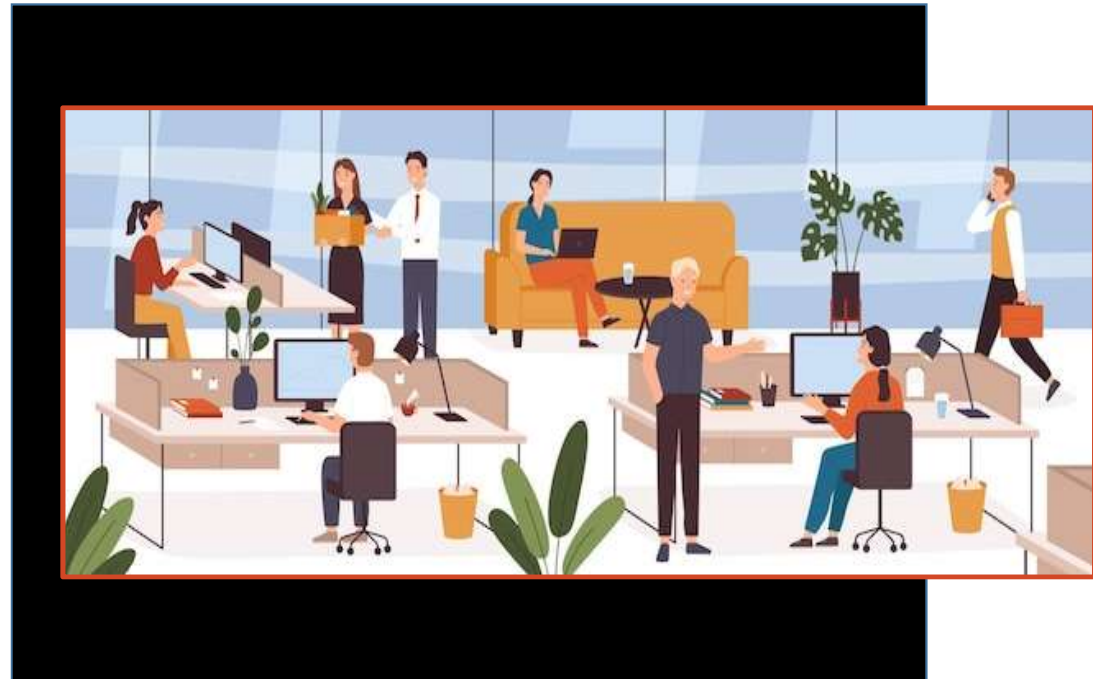
# NEEDS OF MODERN DAY EMPLOYEE :

- ❑ With a foresight of understanding the future and upcoming trends in the post covid work environment, we decided to introspect and review the current work environment and after studying the pros and cons we concluded that the new age work environment needs to be more employee centric and not only in terms of design and colours but also in terms of its functionality.
- ❑ What we mean is that the new age employees now look forward to a different work environment and a convenient desktop seating that adjusts to their liking.



# FINDINGS :

- ❑ After evaluating the advantages and disadvantages of a height adjustable workstation, we thought this option with its features of adjustable heights is the most convenient and suitable option for a highly effective and productive work ecosystem that offers an option to change from the conventional seating environment.
- ❑ To begin with, we would like to tell you that as a modular wooden manufacturer and corporate interior fit out company, we hereby propose to launch our 1<sup>st</sup> ergonomic product with our manual height adjustable stands to make tables more responsive to employee needs and facilitate a healthy work environment.



# OUR NEW LAUNCH - MANUAL HEIGHT ADJUSTABLE STAND :

- ❑ After evaluating the advantages and disadvantages of a height adjustable workstation, we thought this option with its features of adjustable heights is the most convenient and suitable option for a highly effective and productive work ecosystem that offers an option to change from the conventional seating environment.



# OUR NEW LAUNCH - MANUAL HEIGHT ADJUSTABLE STAND :

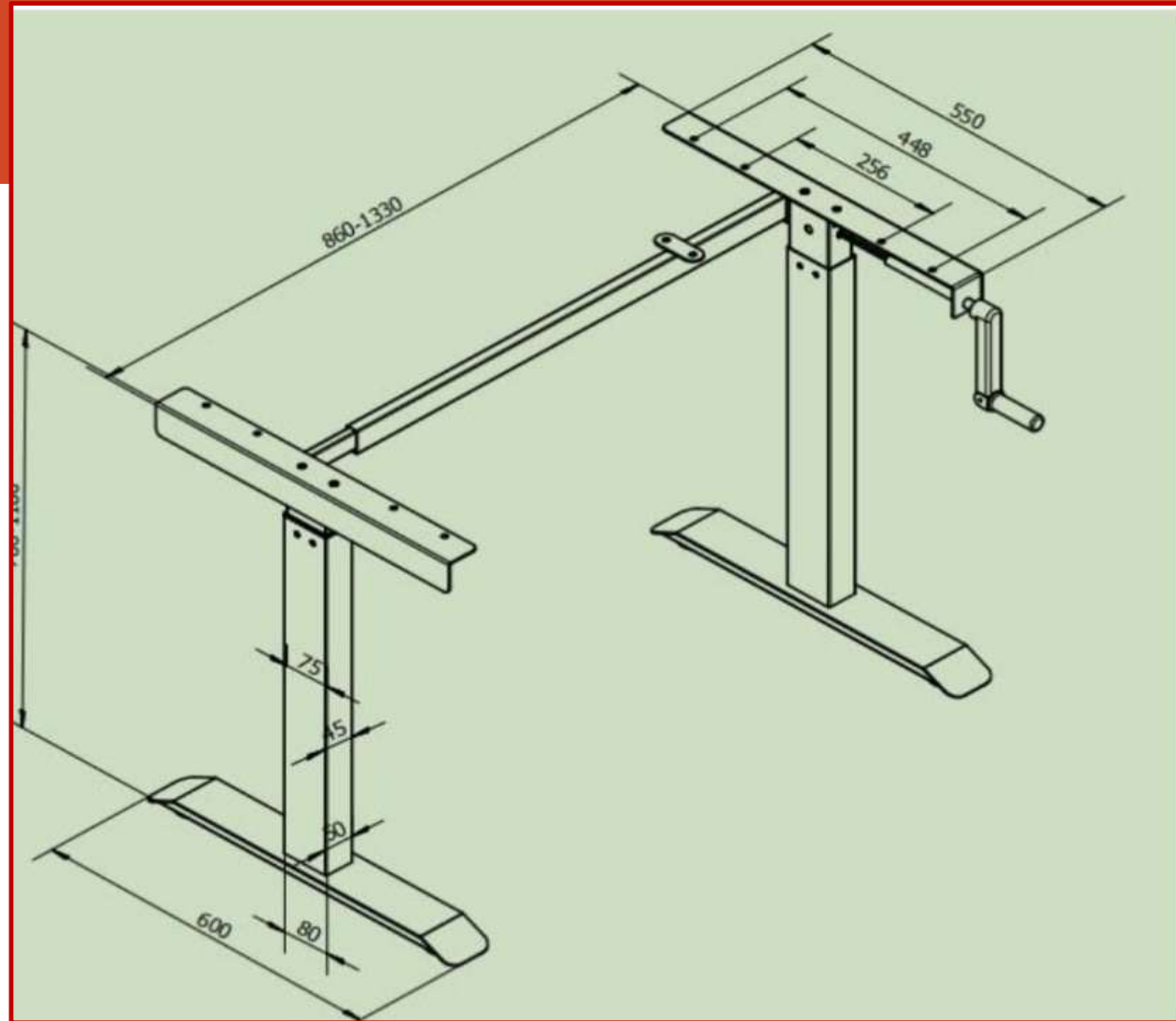
- ❑ To begin with, we would like to tell you that as a modular wooden manufacturer and corporate interior fit out company, we hereby propose to launch our 1<sup>st</sup> ergonomic product with the launch of our manual height adjustable stands to make tables more responsive to employee needs and facilitate a healthy work environment.



# SPECIFICATIONS :



Specifications of our Manually Height Adjustable Stands.

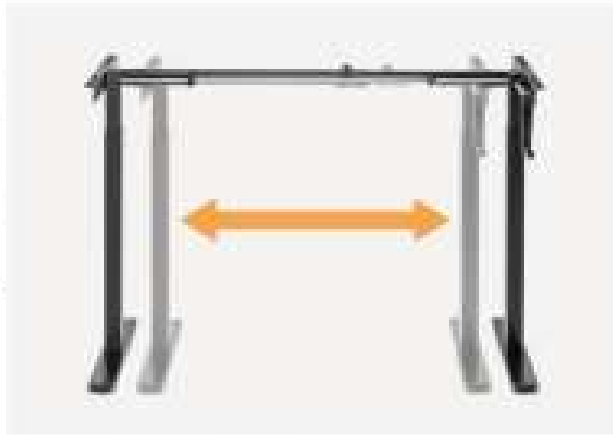


## FEATURES :

HEIGHT RANGE	700MM – 1180MM [ 27.6" – 46.5" ]
WIDTH RANGE	860MM – 1330MM [ 33.9" – 52.4" ]
WEIGHT CAPACITY	60 Kgs / 132 Lbs
TYPE	STANDARD
SPEED	16MM / TURN



**Height Adjustable**  
lifting speed up to 16mm per  
rotation with increased stability



**Width Adjustable**  
compatible with a range of desktop  
sizes (only with N08-22D/22R)



# CONTACT US :

## KLASS INTERIORS :

131, Dheeraj Heritage, 1<sup>st</sup> Floor, S.V. Road, Santacruz West, Mumbai – 400054.

Call : +91 9869014475 / 9867693044

+91 22 67107334

Email : [info@klassinteriors.com](mailto:info@klassinteriors.com)

[klassinteriorsmumbai@gmail.com](mailto:klassinteriorsmumbai@gmail.com)

[www.officefurnitureolutions.in](http://www.officefurnitureolutions.in)

Find out more at the PowerPoint Getting Started Center

(Click the arrow when in Slide Show mode)



**Klass Interiors**  
Functionality with simplicity & Elegance